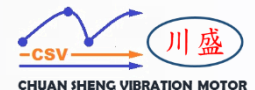




Variable AutoTransformer



International Sales of



Product Description

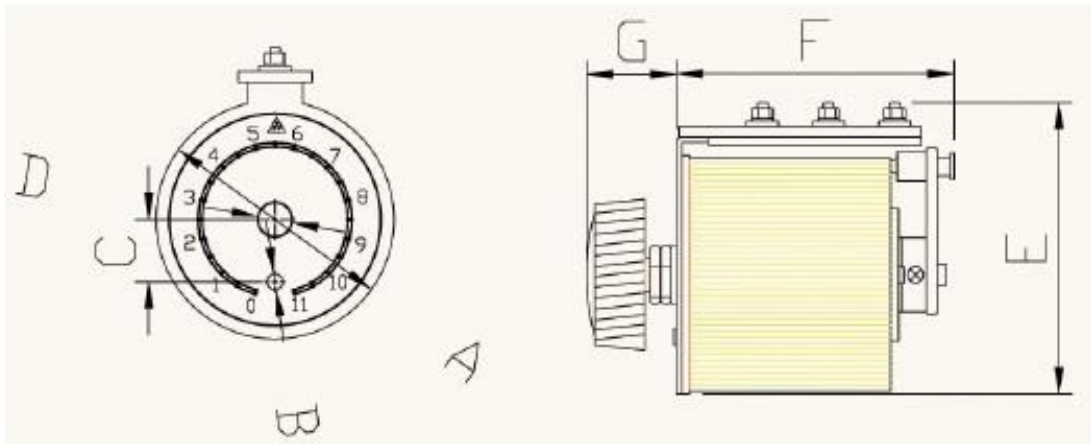
- The terrific design and assembling convert input voltage to output without waveform distortion even very the high voltage
- Multi-model lineup meets the varied industry requirements
- Handy and compact design for easy installation
- All products are examined by complicate QC test

Product Features

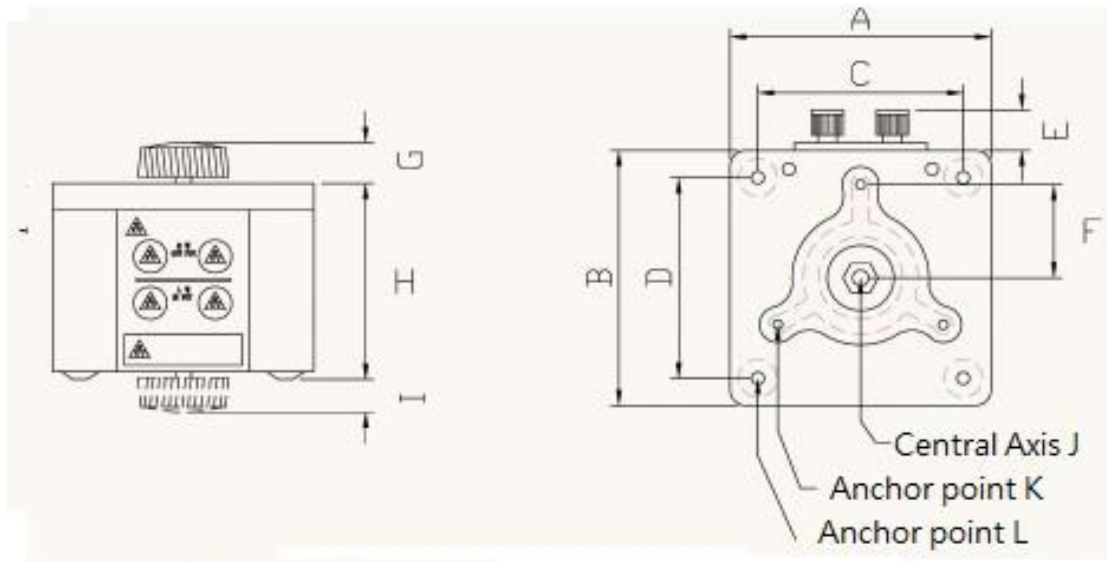
- Adjusts AC output target voltage continuously and efficient heat dissipation
- High quality brush provides long life time for frequent adjustment
- Minimize the spark and contact resistance
- The outstanding synthetic resin of knob and shaft perform well insulation
- Each coil has pass prevention test to prevent damage due to high temperature
- International quality standard and customize are available
- Customize is input and output available



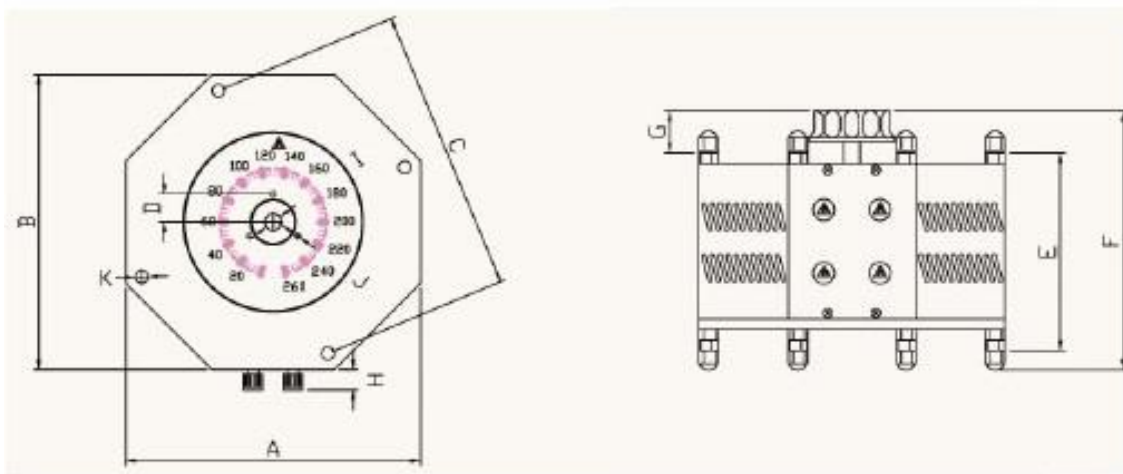
Product Specification



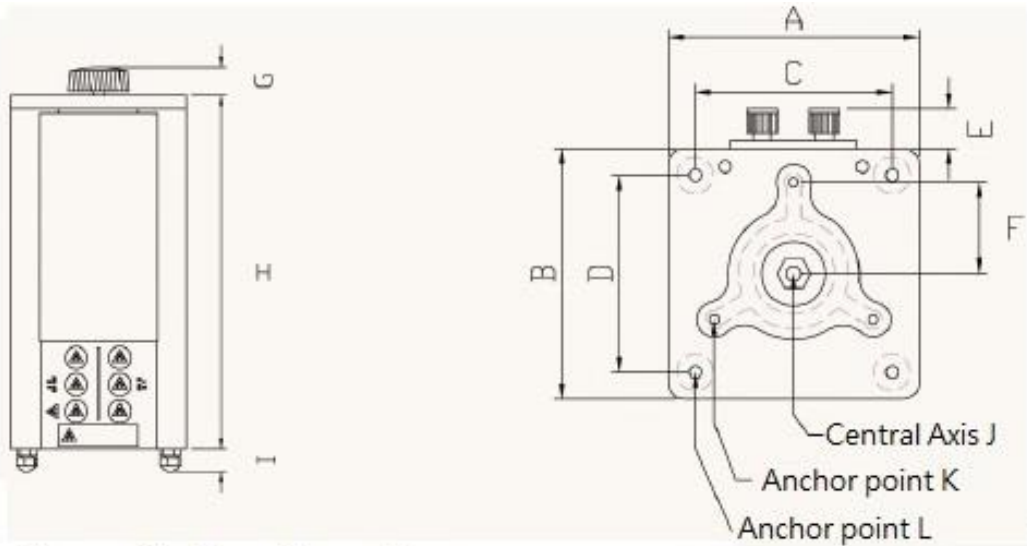
Shape & Drawing : A



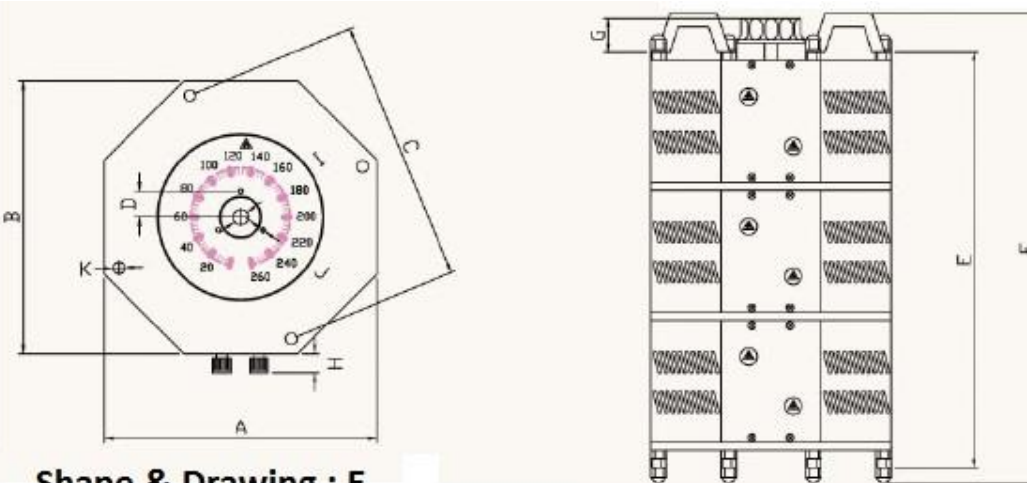
Shape & Drawing : B



Shape & Drawing : C



Shape & Drawing : D

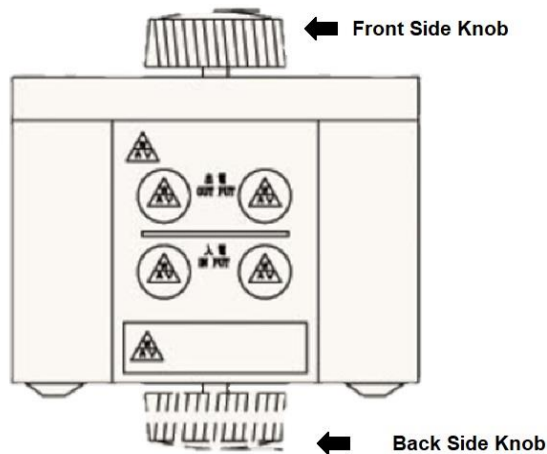


Shape & Drawing : E

a. Front Side Knob
 Assembling (Standard):
 applied on outside of
 machines, panel, table use

b. Back Side Knob
 Assembling (Opposed):
 applied on inside of
 machines and wiring plates

※ Please Specify in PO



Single Phase 100 Series

Model NO.	Capacity KVA	Input Options	Output Options	Max Amp.	Drawing	Volume	Weight
						(m/m)	(Kg)
YH-103(S)	0.33	110V; 120V; Customized	0~110V; 0~120V; 0~130V; 0~140V; Customized	3	A	80*70	2
YH-105(S)	0.55	110V; 120V Customized	0~110V; 0~120V; 0~130V; 0~140V; Customized	5	A	90*105	2.3
YH-105(M)	0.55	110V; 120V; Customized	0~110V; 0~120V; 0~130V; 0~140V; Customized	5	B	122*122*123	3.3
YH-105(L)	0.55	110V; 120V; Customized	0~110V; 0~120V; 0~130V; 0~140V; Customized	5	B	162*162*126	5
YH-108	0.88	110V; 120V; Customized	0~110V; 0~120V; 0~130V; 0~140V; Customized	8	B	162*162*126	6
YH-110	1.1	110V; 120V; Customized	0~110V; 0~120V; 0~130V; 0~140V; Customized	10	B	162*162*126	6.5
YH-112	1.32	110V; 120V; Customized	0~110V; 0~120V; 0~130V; 0~140V; Customized	12	B	162*162*126	7.5
YH-115	1.65	110V; 120V; Customized	0~110V; 0~120V; 0~130V; 0~140V; Customized	15	B	212*212*126	10.5
YH-120	2.2	110V; 120V; Customized	0~110V; 0~120V; 0~130V; 0~140V; Customized	20	B	212*212*126	11.5
YH-125	2.75	110V; 120V; Customized	0~110V; 0~120V; 0~130V; 0~140V; Customized	25	B	212*212*126	13.5
YH-130	3.3	110V; 120V; Customized	0~110V; 0~120V; 0~130V; 0~140V; Customized	30	C	300*300*145	22
YH-135	3.85	110V; 120V; Customized	0~110V; 0~120V; 0~130V; 0~140V; Customized	35	C	300*300*185	25
YH-140	4.4	110V; 120V; Customized	0~110V; 0~120V; 0~130V; 0~140V; Customized	40	C	300*300*185	27

※For detail drawing, specification confirmation, please contact us

Single Phase 200 Series

Model NO.	Capacity KVA	Input Options	Output Options	Max Amp.	Drawing	Volume	Weight
						(m/m)	(Kg)
YH-201(S)	0.22	220V; 230V;240V Customized	0~220V; 0~240V; 0~260V; 0~280V; Customized	1	A	90*117	2.7
YH-201(L)	0.22	220V; 230V;240V Customized	0~220V; 0~240V; 0~260V; 0~280V; Customized	1	B	122*122*123	4.2
YH-202(S)	0.44	220V; 230V;240V Customized	0~220V; 0~240V; 0~260V; 0~280V; Customized	2	B	122*122*123	4.5

YH-202(L)	0.44	220V; 230V;240V Customized	0~220V; 0~240V; 0~260V; 0~280V; Customized	2	B	162*162*126	5.5
YH-203(S)	0.66	220V; 230V;240V Customized	0~220V; 0~240V; 0~260V; 0~280V; Customized	3	B	122*122*123	4.8
YH-203(L)	0.66	220V; 230V;240V Customized	0~220V; 0~240V; 0~260V; 0~280V; Customized	3	B	162*162*126	6
YH-205	1.1	220V; 230V;240V Customized	0~220V; 0~240V; 0~260V; 0~280V; Customized	5	B	162*162*126	6.5
YH-207	1.54	220V; 230V;240V Customized	0~220V; 0~240V; 0~260V; 0~280V; Customized	7	B	162*162*126	7.6
YH-210	2.2	220V; 230V;240V Customized	0~220V; 0~240V; 0~260V; 0~280V; Customized	10	B	212*212*126	11
YH-215	3.3	220V; 230V;240V Customized	0~220V; 0~240V; 0~260V; 0~280V; Customized	15	B	212*212*126	13
YH-220	4.4	220V; 230V;240V Customized	0~220V; 0~240V; 0~260V; 0~280V; Customized	20	C	300*300*145	20
YH-225	5.5	220V; 230V;240V Customized	0~220V; 0~240V; 0~260V; 0~280V; Customized	25	C	300*300*145	21
YH-230	6.6	220V; 230V;240V Customized	0~220V; 0~240V; 0~260V; 0~280V; Customized	30	C	300*300*185	24

※For detail drawing, specification confirmation, please contact us

Single Phase 1400 Series

Model NO.	Capacity KVA	Input Options	Output Options	Max Amp.	Drawing	Volume	Weight
						(m/m)	(Kg)
YH-1401	0.38	380; Customized	0~380; Customized	1	B	162*162*126	6.5
	0.44	440; Customized	0~440; Customized	1			
YH-1402	0.76	380; Customized	0~380; Customized	2	B	162*162*126	7.5
	0.88	440; Customized	0~440; Customized	2			
YH-1403	1.14	380; Customized	0~380; Customized	3	B	162*162*126	8
	1.32	440; Customized	0~440; Customized	3			
YH-1405	1.9	380; Customized	0~380; Customized	5	B	212*212*126	11
	2.2	440; Customized	0~440; Customized	5			
YH-1407	2.66	380; Customized	0~380; Customized	7	B	212*212*126	13
	3.08	440; Customized	0~440; Customized	7			

YH-1410	3.8	380; Customized	0~380; Customized	10	C	300*300*145	21
	4.4	440; Customized	0~440; Customized	10			
YH-1415	5.7	380; Customized	0~380; Customized	15	C	300*300*185	23
	6.6	440; Customized	0~440; Customized	15			
YH-1420	7.6	380; Customized	0~380; Customized	20	C	300*300*185	37
	8.8	440; Customized	0~440; Customized	20			
YH-1425	9.5	380; Customized	0~380; Customized	25	C	300*300*185	44
	11	440; Customized	0~440; Customized	25			

✘For detail drawing, specification confirmation, please contact us

Three Phase 300 Series

Model NO.	Capacity KVA	Input Options	Output Options	Max Amp.	Drawing	Volume	Weight
						(m/m)	(Kg)
YH-305(S)	1.9	220V; 230V;240V Customized	0~220V; 0~240V; 0~260V; 0~280V; Customized	5	D	122*122*360	14
YH-305(L)	1.9	220V; 230V;240V Customized	0~220V; 0~240V; 0~260V; 0~280V; Customized	5	D	162*162*360	16
YH-308	3.04	220V; 230V;240V Customized	0~220V; 0~240V; 0~260V; 0~280V; Customized	8	D	162*162*360	18
YH-310	3.8	220V; 230V;240V Customized	0~220V; 0~240V; 0~260V; 0~280V; Customized	10	D	162*162*360	20
YH-312	4.57	220V; 230V;240V Customized	0~220V; 0~240V; 0~260V; 0~280V; Customized	12	D	162*162*360	22
YH-315	5.71	220V; 230V;240V Customized	0~220V; 0~240V; 0~260V; 0~280V; Customized	15	D	212*212*385	30
YH-320(S)	7.62	220V; 230V;240V Customized	0~220V; 0~240V; 0~260V; 0~280V; Customized	20	D	212*212*385	35
YH-320(L)	7.62	220V; 230V;240V Customized	0~220V; 0~240V; 0~260V; 0~280V; Customized	20	E	300*300*510	40
YH-325	9.52	220V; 230V;240V Customized	0~220V; 0~240V; 0~260V; 0~280V; Customized	25	E	300*300*510	53
YH-330	11.4	220V; 230V;240V Customized	0~220V; 0~240V; 0~260V; 0~280V; Customized	30	E	300*300*510	68

YH-335	13.3	220V; 230V;240V Customized	0~220V; 0~240V; 0~260V; 0~280V; Customized	35	E	300*300*580	72
YH-340	15.2	220V; 230V;240V Customized	0~220V; 0~240V; 0~260V; 0~280V; Customized	40	E	300*300*580	78

※For detail drawing, specification confirmation, please contact us

Three Phase 3400 Series

Model NO.	Capacity KVA	Input Options	Output Options	Max Amp.	Drawing	Volume	Weight
						(m/m)	(Kg)
YH-3402(S)	1.31	380; Customized	0~380; Customized	2	D	122*122*360	12
	1.52	440; Customized	0~440; Customized	2			
YH-3402(L)	1.31	380; Customized	0~380; Customized	2	D	162*162*360	15
	1.52	440; Customized	0~440; Customized	2			
YH-3403(S)	1.97	380; Customized	0~380; Customized	3	D	122*122*360	14
	2.28	440; Customized	0~440; Customized	3			
YH-3403(L)	1.97	380; Customized	0~380; Customized	3	D	162*162*360	18
	2.28	440; Customized	0~440; Customized	3			
YH-3405	3.29	380; Customized	0~380; Customized	5	D	162*162*360	20
	3.81	440; Customized	0~440; Customized	5			
YH-3408	5.26	380; Customized	0~380; Customized	8	D	212*212*385	27
	6.09	440; Customized	0~440; Customized	8			
YH-3410	6.58	380; Customized	0~380; Customized	10	D	212*212*385	30
	7.62	440; Customized	0~440; Customized	10			
YH-3415	9.87	380; Customized	0~380; Customized	15	D	212*212*385	35
	11.4	440; Customized	0~440; Customized	15			
YH-3420	13.2	380; Customized	0~380; Customized	20	E	300*300*510	54
	15.2	440; Customized	0~440; Customized	20			
YH-3425	16.5	380; Customized	0~380; Customized	25	E	300*300*510	68
	19.1	440; Customized	0~440; Customized	25			
YH-3430	19.7	380; Customized	0~380; Customized	30	E	300*300*580	75
	22.9	440; Customized	0~440; Customized	30			

- Efficiency 80 percentage in continuous use
- When using variable transformer for special purposes, please consult us in advance.

About I AND I

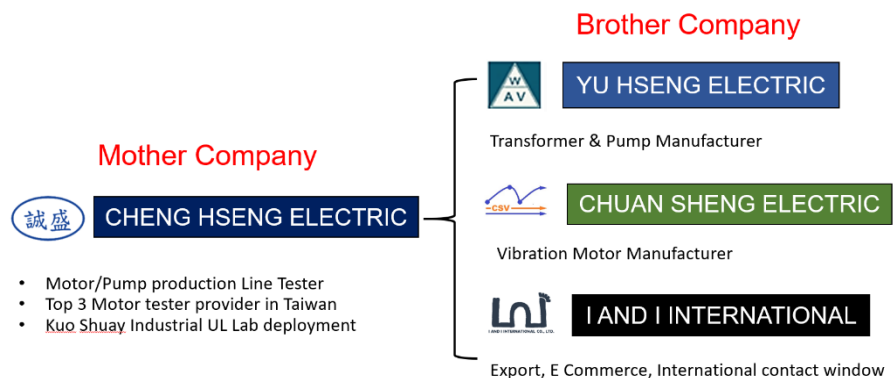
We, I AND I INTERNATIONAL CO. LTD. are introducing ourselves as an emerging supplier of industrial electric motors, transformers, and several other items. We have come here to offer the world-class Coolant Pumps, Vibrating Motor, Adjustable Transformers, Adjustable Voltage Transformer and other industrial machines. These machines are designed and developed as per the predefined industrial specification to ensure their high compatibility and quality.

Additionally, we use high-grade steel and other material to ensure the sturdiness and long working of the products.

Established in the year 2016, we are

working as a Manufacturer (Chuan Sheng Electric, Yu Hsheng Electric, and CHENG HSENG Electric), Exporter, and Supplier of industrial motors and transformers. Our unmatched quality keeps us apart from other manufacturers and have helped us create our brand value in the market. Our all products are verified by CE for their functionality and reliable usage. Further, to control and manage all business operations, we have an experienced team of employees which works round the clock and perform their duties very well.

Group Organization



Contact US



Add: No.6, Aly. 3, Ln. 130, Xizhou Rd., Taiping City, Taichung County 411 Taiwan

TEL: 886-4-22780686 FAX: 886-4-22753287

Email: iniint.sales@gmail.com

Email: yen@iniint.com Email: stella@iniint.com

<http://www.iniint.com>

